



PLECS

DEMO MODEL

Cuk Converter with Integrated Magnetics

Last updated in PLECS 4.3.1

www.plexim.com

- ▶ Request a PLECS trial license
- ▶ Check the PLECS documentation

1 Overview

This model highlights the PLECS magnetic domain components using a complex isolated Ćuk converter which is capable of zero-ripple operation. A more thorough analysis and discussion of this demo model can be found in [1].

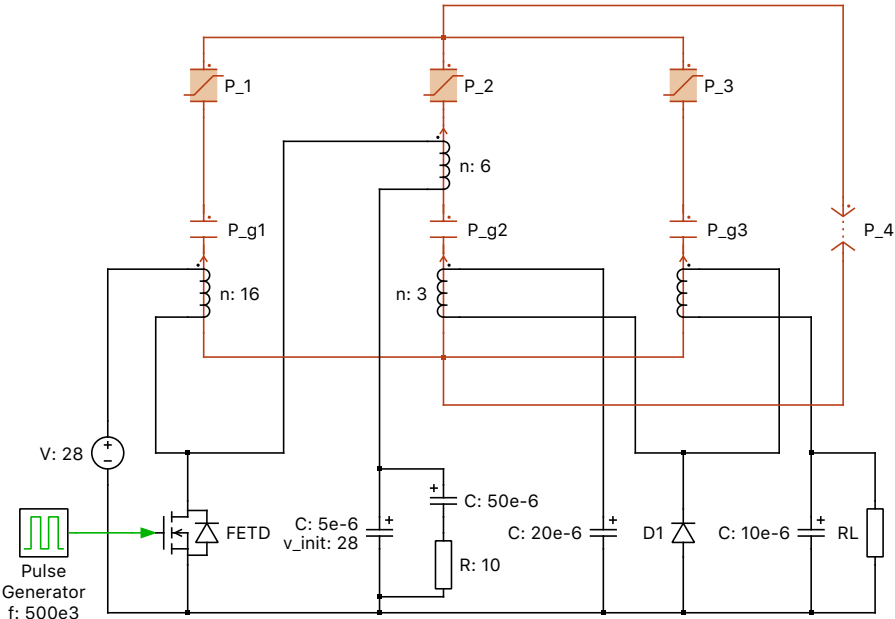


Figure 1: Ćuk converter with integrated magnetics

2 Model

Due to a proper winding turn-ratio, this Ćuk converter can achieve zero ripple in both input and output currents. The magnetic circuit consists of two opposing E-cores spaced by air gaps. These air gaps are represented with three permeances P_{g1} , P_{g2} and P_{g3} . The two chokes and the transformer are combined into a single magnetic structure modeled as separate permeances P_1 , P_2 and P_3 . The leakage fluxes are bundled and simplified to a single flux path P_4 .

3 Simulation

In this example, the core material saturates around 0.4 Tesla leading to spikes in the output current. The spikes occur when the magnetic flux in the output leg P_3 gets close to $5 \mu\text{Wb}$. Increasing B_{sat} to 0.5 Tesla removes the output current ripple (as does replacing Saturable Core components with Linear Cores).

4 Conclusion

The permeance-capacitance analogy implemented in PLECS provides an intuitive and geometry-based approach to modeling magnetic circuits like the one for this Ćuk converter.

References

- [1] J. Allmeling, W. Hammer and J. Schönberger, *Transient simulation of magnetic circuits using the permeance-capacitance analogy*, 2012 IEEE 13th Workshop on Control and Modeling for Power Electronics (COMPEL), Kyoto, 2012, pp. 1-6.

Revision History:

PLECS 4.3.1 First release

How to Contact Plexim:

☎	+41 44 533 51 00	Phone
	+41 44 533 51 01	Fax
✉	Plexim GmbH Technoparkstrasse 1 8005 Zurich Switzerland	Mail
@	info@plexim.com	Email
	http://www.plexim.com	Web

PLECS Demo Model

© 2002–2021 by Plexim GmbH

The software PLECS described in this document is furnished under a license agreement. The software may be used or copied only under the terms of the license agreement. No part of this manual may be photocopied or reproduced in any form without prior written consent from Plexim GmbH.

PLECS is a registered trademark of Plexim GmbH. MATLAB, Simulink and Simulink Coder are registered trademarks of The MathWorks, Inc. Other product or brand names are trademarks or registered trademarks of their respective holders.