

PLECS

*DEMO MODEL*

## Low Pass Filter Circuits

Last updated in PLECS 4.3.1

[www.plexim.com](http://www.plexim.com)

- ▶ Request a PLECS trial license
- ▶ Check the PLECS documentation

# 1 Overview

This example demonstrates two equivalent implementations of a 3rd order low pass filter.

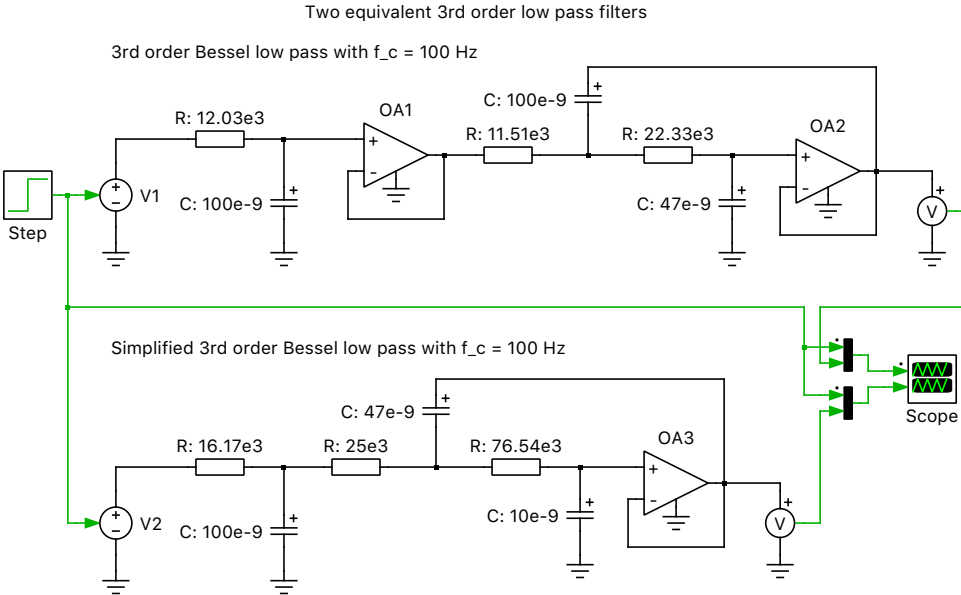


Figure 1: Low Pass Filter Circuits

## Revision History:

PLECS 4.3.1      First release

## How to Contact Plexim:

☎	+41 44 533 51 00	Phone
	+41 44 533 51 01	Fax
✉	Plexim GmbH Technoparkstrasse 1 8005 Zurich Switzerland	Mail
@	info@plexim.com	Email
	<a href="http://www.plexim.com">http://www.plexim.com</a>	Web

### *PLECS Demo Model*

© 2002–2021 by Plexim GmbH

The software PLECS described in this document is furnished under a license agreement. The software may be used or copied only under the terms of the license agreement. No part of this manual may be photocopied or reproduced in any form without prior written consent from Plexim GmbH.

PLECS is a registered trademark of Plexim GmbH. MATLAB, Simulink and Simulink Coder are registered trademarks of The MathWorks, Inc. Other product or brand names are trademarks or registered trademarks of their respective holders.