



PLECS

DEMO MODEL

Motor Drive with Failure Modes

Last updated in PLECS 4.3.1

www.plexim.com

- ▶ Request a PLECS trial license
- ▶ Check the PLECS documentation

1 Overview

This demonstration examines a current-controlled permanent magnet machine under several drive fault mitigation strategies. The system includes an inverter with field-oriented control that supplies the machine operating at a constant speed. Fault conditions such as loss of auxiliary power supply or microprocessor trip can result in loss of power to the inverter. Usually under such faults, the power stage is disabled. However, when operating in flux-weakening mode, a fault mitigation strategy may be required as the rectified back-emf may be larger than the DC-link voltage. In this simulation, failure mitigation strategies by closing all the lower inverter switches or opening the battery pack contactor are investigated.

Note This model contains model initialization commands that are accessible from:

PLECS Standalone: The menu **Simulation + Simulation Parameters... + Initializations**

PLECS Blockset: Right click in the **Simulink model window + Model Properties + Callbacks + InitFcn***

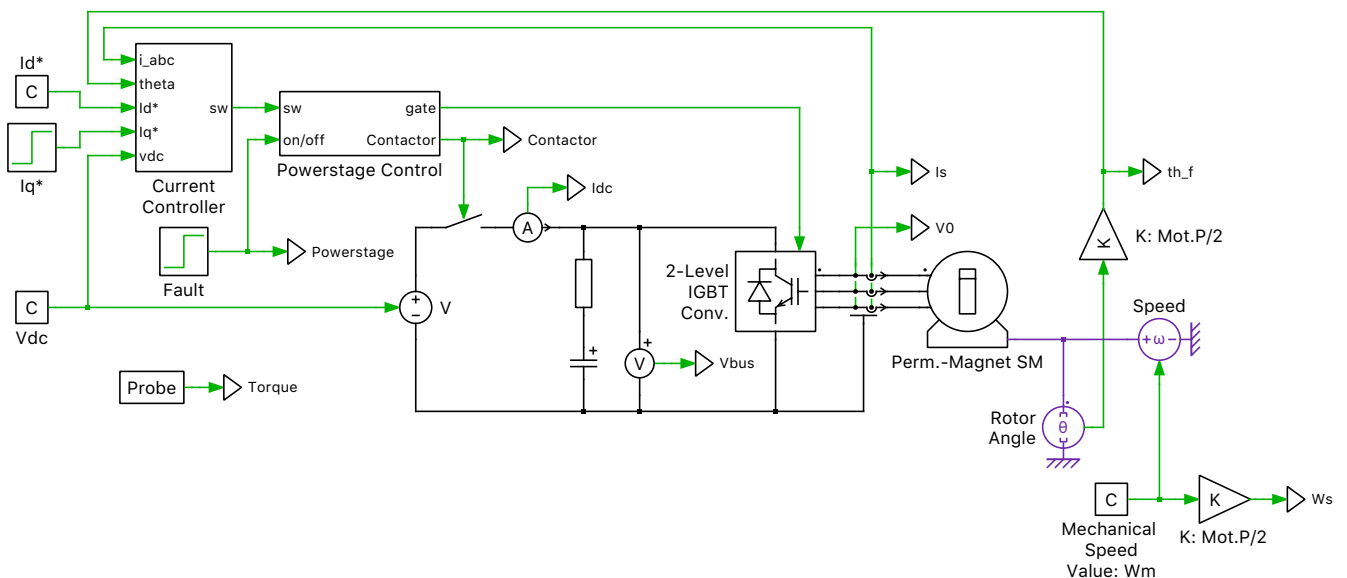


Figure 1: Motor drive with failure modes circuit

2 Model

The circuit includes a simplified battery modeled as an ideal DC voltage source that feeds a 3-phase inverter and permanent magnet-assisted synchronous reluctance machine, i.e., a PM machine with high saliency. The machine model is configured to use the voltage behind reactance implementation, as this will allow for the simulation of fault conditions, during which the phase voltages are no longer defined by the inverter. A contactor between the battery and DC bus is also included and is represented by an ideal switch.

3 Control

Direct and quadrature current set points are provided to a current regulator. This regulator is decoupled based on motor speed and also includes state-limiting and anti-windup mechanisms. The three stator phase currents are being measured for closed-loop control and are transformed to DQ values inside the regulator and are compared to their set points. Space vector pulse-width modulation (SVPWM) is used to generate the output voltage of the inverter and a configurable dead time is also included to prevent shorting of the DC bus.

The direct current set point (I_d^*) is held constant at -200 A to operate the machine in flux weakening mode. The torque-producing quadrature current set point (I_q^*) is set to step up in value from 0 A to 100 A at 50 ms.

Under fault conditions where the rectified back-emf is smaller than the DC-link voltage, disabling the power stage may be sufficient. However, when operating in flux-weakening mode the rectified back-emf is larger than the DC-link voltage. Simply disabling the power stage would result in an uncontrolled current flow from the machine into the battery, resulting in an uncontrolled braking torque on the load. A fault mitigation strategy for this situation will be required to prevent this unregulated power flow to the battery.

The power-stage control subsystem can be configured to mitigate this fault condition with two different strategies.

One fault mitigation strategy is to open the battery contactor when a power failure is detected. Opening the battery contactor would prevent the current generated by the back-emf to flow back into the battery pack. This strategy would result in charging up the DC-link capacitor until the bus voltage is equal to the rectified back-emf of the PM machine. This would damage the semiconductor devices, the bus capacitors, and all other systems connected to the bus unless these components are oversized.

Another fault mitigation strategy is to short the machine phases by closing all the lower switches of the inverter. The back-emf of the PM would result in large motor currents that would produce a decaying oscillatory torque. One concern for such a strategy is that shorting the motor phases may lead to large currents thus requiring oversizing of the semiconductor devices. In this strategy keeping the battery contactor open or close has no effect as the machine currents are not flowing back into the DC-link.

4 Simulation

Run the simulation with the model as provided. The I_q command is stepped at 50 ms resulting in a positive DC current flow of ~ 125 A. Halfway through the simulation a fault is introduced into the system. When the fault is detected the power stage is simply turned off by opening all the inverter switches. Verify that this results in a current flow from the machine into the battery and results in a braking torque on the load. Save the trace of the Scope.

Next, configure the Powerstage Control subsystem to open the battery contactor when a fault is detected by selecting “Off when powerstage off” for the “Contactor control” drop-down menu. Rerun the simulation and compare the result with the previous result. Notice that under this fault mitigation strategy, the DC-link voltage suddenly increases as the motor currents flow into the DC-link capacitor. This occurs until the DC-link voltage is equal to the rectified back-emf of the machine. Save the new trace.

Finally, configure the Powerstage Control subsystem to close all the lower switches of the inverter when a fault is detected by selecting “Lower switches closed” for the “Powerstage off state” drop-down menu. Rerun the simulation and compare the result with the previous fault mitigation strategy. With this fault mitigation strategy, the motor phases are shorted through the lower switches. This results in large motor currents that produce a decaying oscillatory torque.

Revision History:

PLECS 4.3.1 First release

How to Contact Plexim:

☎	+41 44 533 51 00	Phone
	+41 44 533 51 01	Fax
✉	Plexim GmbH Technoparkstrasse 1 8005 Zurich Switzerland	Mail
@	info@plexim.com	Email
	http://www.plexim.com	Web

PLECS Demo Model

© 2002–2021 by Plexim GmbH

The software PLECS described in this document is furnished under a license agreement. The software may be used or copied only under the terms of the license agreement. No part of this manual may be photocopied or reproduced in any form without prior written consent from Plexim GmbH.

PLECS is a registered trademark of Plexim GmbH. MATLAB, Simulink and Simulink Coder are registered trademarks of The MathWorks, Inc. Other product or brand names are trademarks or registered trademarks of their respective holders.