

PLECS

DEMO MODEL

Watkins-Johnson Converter

Last updated in PLECS 4.3.1

www.plexim.com

- ▶ Request a PLECS trial license
- ▶ Check the PLECS documentation

1 Overview

This example demonstrates an unregulated, non-isolated Watkins-Johnson or push-pull current-fed converter.

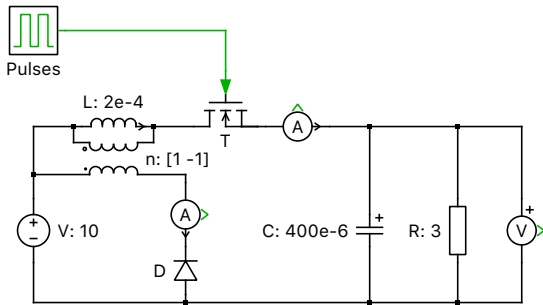


Figure 1: Watkins-Johnson converter with two-winding inductor

2 Model

The Watkins-Johnson converter is a DC/DC converter with a tapped inductor. While it is based on a boost converter topology, it has a negative tap fraction so it actually operates as a buck converter and steps-down the input voltage. The ideal transformer must be realized with a real inductance in practice, which is represented by a magnetizing inductance in parallel with it. When the switch is off, the load voltage falls but the converter returns current to the source that is stored in the magnetizing inductor. While the switch conducts, energy is transferred to the output via the stored current in the inductor and the load voltage will rise.

The Watkins-Johnson converter has an ideal transfer function of:

$$\frac{V_{\text{out}}}{V_{\text{in}}} \approx \frac{(2D - 1)}{D}$$

where D is the duty cycle. Note, however, that for this particular model the equation is valid for duty cycles in the range of 0.6 to 0.8.

3 Simulation

Run the simulation with the model as provided to view the signals and verify the load voltage regarding the following equation:

$$V_{\text{load}} = \frac{V_{\text{in}} \cdot (2 \cdot 0.6 - 1)}{0.6} = \frac{10 \text{ V} \cdot 0.2}{0.6} = \frac{10}{3} \text{ V}$$

Also notice that the diode current is positive during the part of the cycle that the switch is off.

Revision History:

PLECS 4.3.1 First release

How to Contact Plexim:

| | | |
|---|--|-------|
| ☎ | +41 44 533 51 00 | Phone |
| | +41 44 533 51 01 | Fax |
| ✉ | Plexim GmbH Technoparkstrasse 1 8005 Zurich Switzerland | Mail |
| @ | info@plexim.com | Email |
| | http://www.plexim.com | Web |

PLECS Demo Model

© 2002–2021 by Plexim GmbH

The software PLECS described in this document is furnished under a license agreement. The software may be used or copied only under the terms of the license agreement. No part of this manual may be photocopied or reproduced in any form without prior written consent from Plexim GmbH.

PLECS is a registered trademark of Plexim GmbH. MATLAB, Simulink and Simulink Coder are registered trademarks of The MathWorks, Inc. Other product or brand names are trademarks or registered trademarks of their respective holders.