



PLECS

DEMO MODEL

Servo Drive with Optimum Braking

Last updated in PLECS 4.3.1

www.plexim.com

- ▶ Request a PLECS trial license
- ▶ Check the PLECS documentation

1 Overview

This demonstration illustrates a servo drive application, combining the PLECS electrical, control and mechanical domains. The system includes an inverter with field-oriented control that supplies a servomotor coupled to a ball screw gear. The output of the gear is attached to a slide, which holds the part that is being position-controlled for manufacturing (e.g. milling) operations.

Note This model contains model initialization commands that are accessible from:

PLECS Standalone: The menu **Simulation + Simulation Parameters... + Initializations**

PLECS Blockset: Right click in the **Simulink model window + Model Properties + Callbacks + InitFcn***

2 Model

A system level overview of the model is given in Fig. 1.

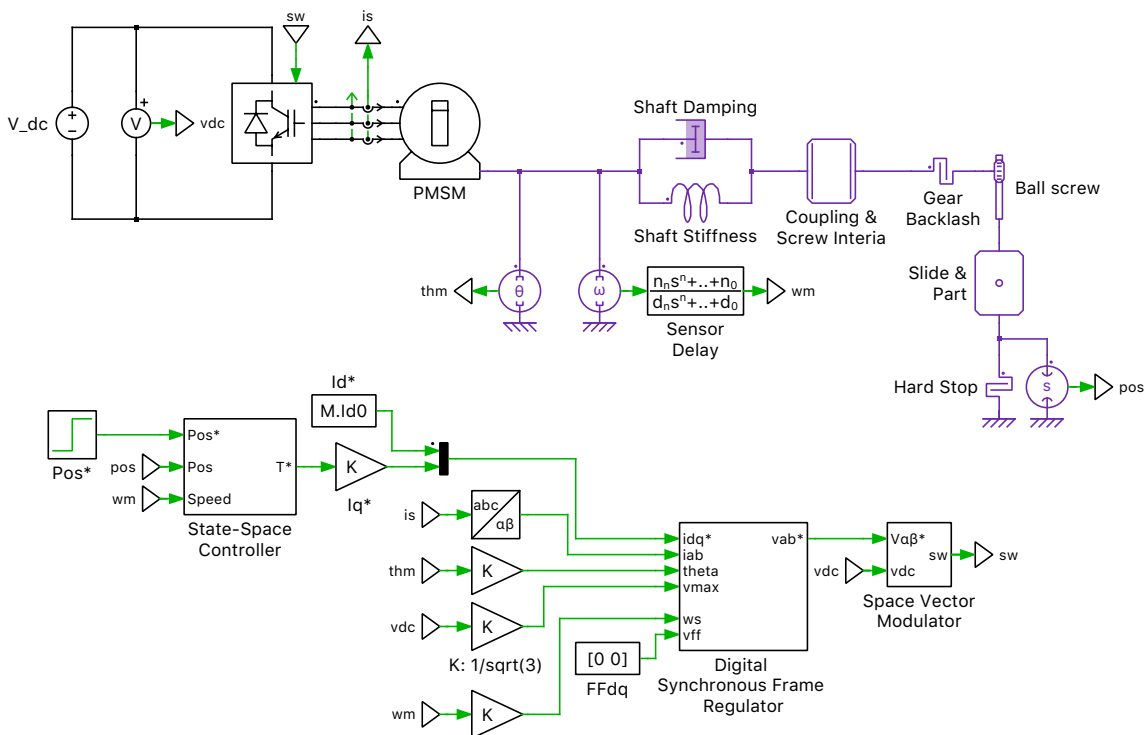


Figure 1: System level overview including electrical, mechanical and control circuit

2.1 Power Circuit

The inverter circuit is modeled as an ideal three-legged bridge with stiff DC supply. Space vector pulse-width modulation (SVPWM) is used to control the output voltage of the inverter. The three phase currents are being measured for closed-loop control.

2.2 Mechanical

The actuator consists of a synchronous machine with surface-mounted magnets (PMSM). Its output is coupled by means of a compliant shaft to the ball screw gear. The coupling between those two elements is modeled by an Inertia and Backlash component from the PLECS component library. The gear translates the rotational motion to a linear motion, which then moves a part along a slide. At the end of the slide is a hard stop with which the part will collide if not properly controlled.

2.3 Controls

An advanced high-bandwidth state-space control is implemented for the positioning of the slide. The controller is realized in a per-unit (pu) system and regulates both slide position and motor speed using internal state limiters and anti-windup mechanisms. Two choices are provided for limiting the motor speed: i) a fixed limit set to 1 pu and ii) an optimum limit that is dynamically adjusted based on actual deviation from the target position. For large set point changes use of optimum speed limiting is necessary to avoid limit cycles.

The output of the state-space controller consists of a torque set point for the electric machine. It is translated into an equivalent quadrature current set point (i_q^*) that is controlled by a digital synchronous frame regulator. This regulator is numerically decoupled based on motor speed and also includes state-limiting and anti-windup mechanisms.

3 Simulation

We recommend that this model be explored by following these steps:

Begin with the “Fixed Speed Limit” (double-click on “State-Space Controller” block and select from drop-down list) and configure the position-step (“Pos*” block) to a small value, for example one millimeter (0.001). Observe how the part reaches the target position in a nicely damped fashion with a

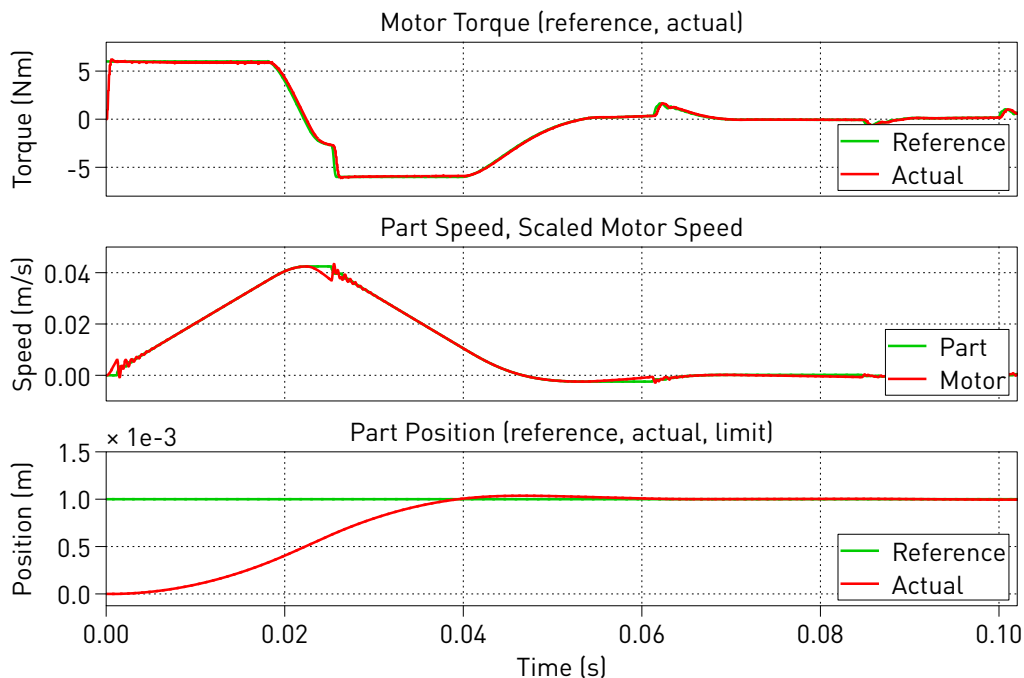


Figure 2: Simulation results for fixed speed limit and small position step

very small amount of overshoot. Notice how the motor torque is being limited to a maximum of 6 Nm

(1 pu) at the beginning of the acceleration and deceleration phases. A reference solution is given in Fig. 2.

Now use the “zoom” features of the scope to examine the waveforms more closely after the set point has been reached. You will notice the drive never comes to a complete stop. Instead it exhibits a sustained oscillation around the set point. This “hunting” is caused by the backlash of the ball screw gear. Reduce the value of P.b1 in the initialization script and observe how the oscillation can be reduced and, ultimately, eliminated.

At this point, increase the position step to 5 cm (0.05) and re-run the simulation, making sure you capture at least 1.2 seconds of simulation time. A reference solution is given in Fig. 3. As can be seen

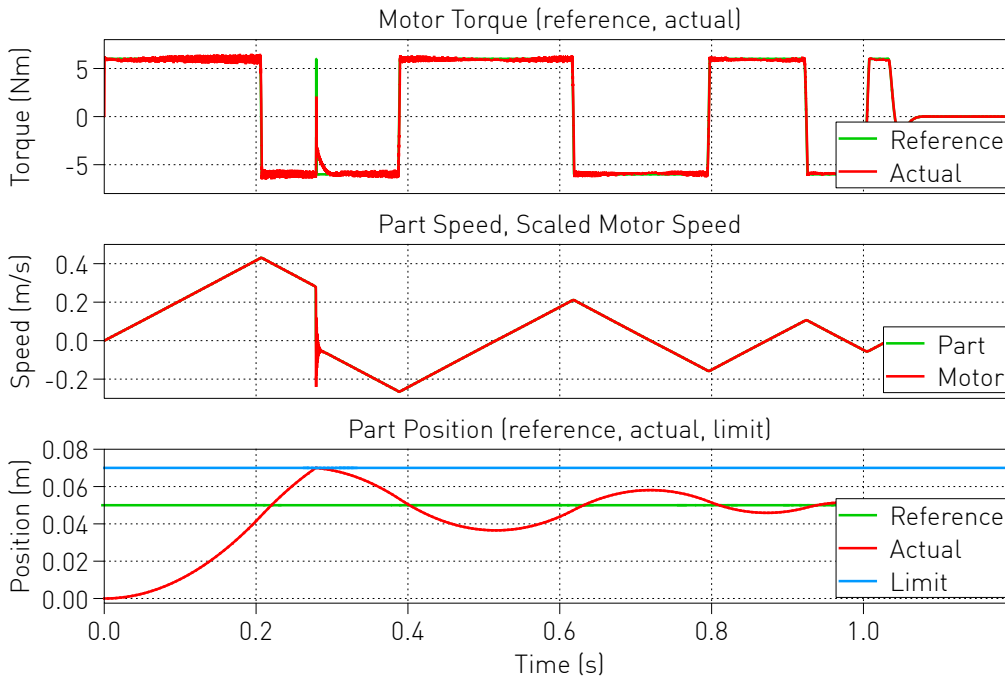


Figure 3: Simulation results for fixed speed limit and large position step

from the simulation run, the position control is very poor. There is a large initial overshoot resulting in the slide hitting the hard stop followed by a second large oscillation until the set point is reached. This phenomenon is a limit cycle caused by the electric machine not having sufficient torque to slow the slide before it is already far past its set point. As a consequence, the torque set point varies in a square-wave fashion between full throttle acceleration and deceleration.

To eliminate this behavior the Optimum Speed Limit must be enabled (double-click on “State-Space Controller” block and select from drop-down list). Rerunning the simulation demonstrates the effectiveness of such an advanced speed-limiting algorithm. The position set point is now reached with a minimal amount of overshoot, settling in the shortest possible amount of time. A reference solution is given in Fig. 4.

References

- [1] H. Bühler, Réglage de systèmes d’électronique de puissance, vol 1: Théorie, Presses Polytechniques et universitaires romandes, Lausanne, 1997.
- [2] H. Bühler, Réglage de systèmes d’électronique de puissance, vol 2: Théorie, Presses Polytechniques et universitaires romandes, Lausanne, 1997.

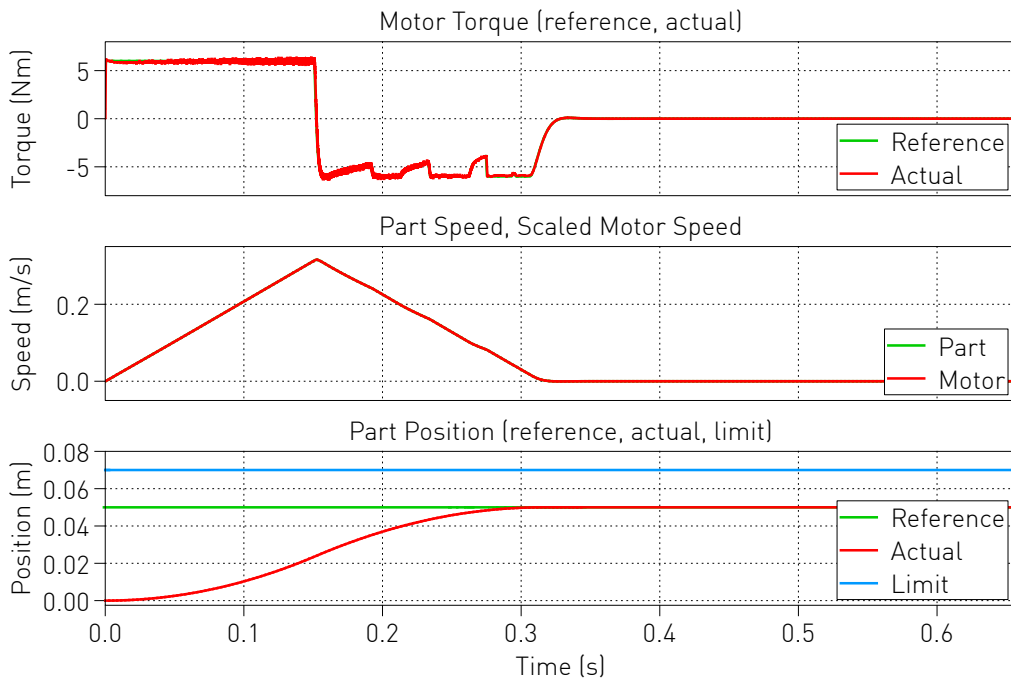


Figure 4: Simulation results for optimum speed limit and large position step

Revision History:

PLECS 4.3.1 First release

How to Contact Plexim:

☎	+41 44 533 51 00	Phone
	+41 44 533 51 01	Fax
✉	Plexim GmbH Technoparkstrasse 1 8005 Zurich Switzerland	Mail
@	info@plexim.com	Email
	http://www.plexim.com	Web

PLECS Demo Model

© 2002–2021 by Plexim GmbH

The software PLECS described in this document is furnished under a license agreement. The software may be used or copied only under the terms of the license agreement. No part of this manual may be photocopied or reproduced in any form without prior written consent from Plexim GmbH.

PLECS is a registered trademark of Plexim GmbH. MATLAB, Simulink and Simulink Coder are registered trademarks of The MathWorks, Inc. Other product or brand names are trademarks or registered trademarks of their respective holders.